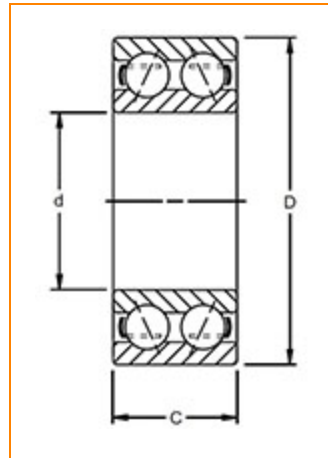


**TIMKEN**

The Timken Company  
4500 Mt Pleasant St. NW  
N. Canton, OH 44720  
Phone: (234) 262-3000

E-Mail: [CustomerCAD@timken.com](mailto:CustomerCAD@timken.com) • Web site: [www.timken.com](http://www.timken.com)

Part Number 3210 AJ, Timken® Double Row Angular Contact Ball Bearings (3200, 3300)



[Dimensions](#) | [Specifications](#) | [Basic Load Ratings](#) | [Abutment and Fillet Dimensions](#)

### Dimensions

d - Bore	50.00 mm 1.9685 in
D - Outer Diameter	90.00 mm 3.5433 in
C - Ring Width	30.2 mm 1.1890 in
Contact Angle	30°

### Specifications

Features	Open
Ball Type	STEEL
Age Type	Pressed



Cage Material	Steel
Bearing Weight	0.70 Kg 1.550 lb
Design Units	METRIC

### Basic Load Ratings

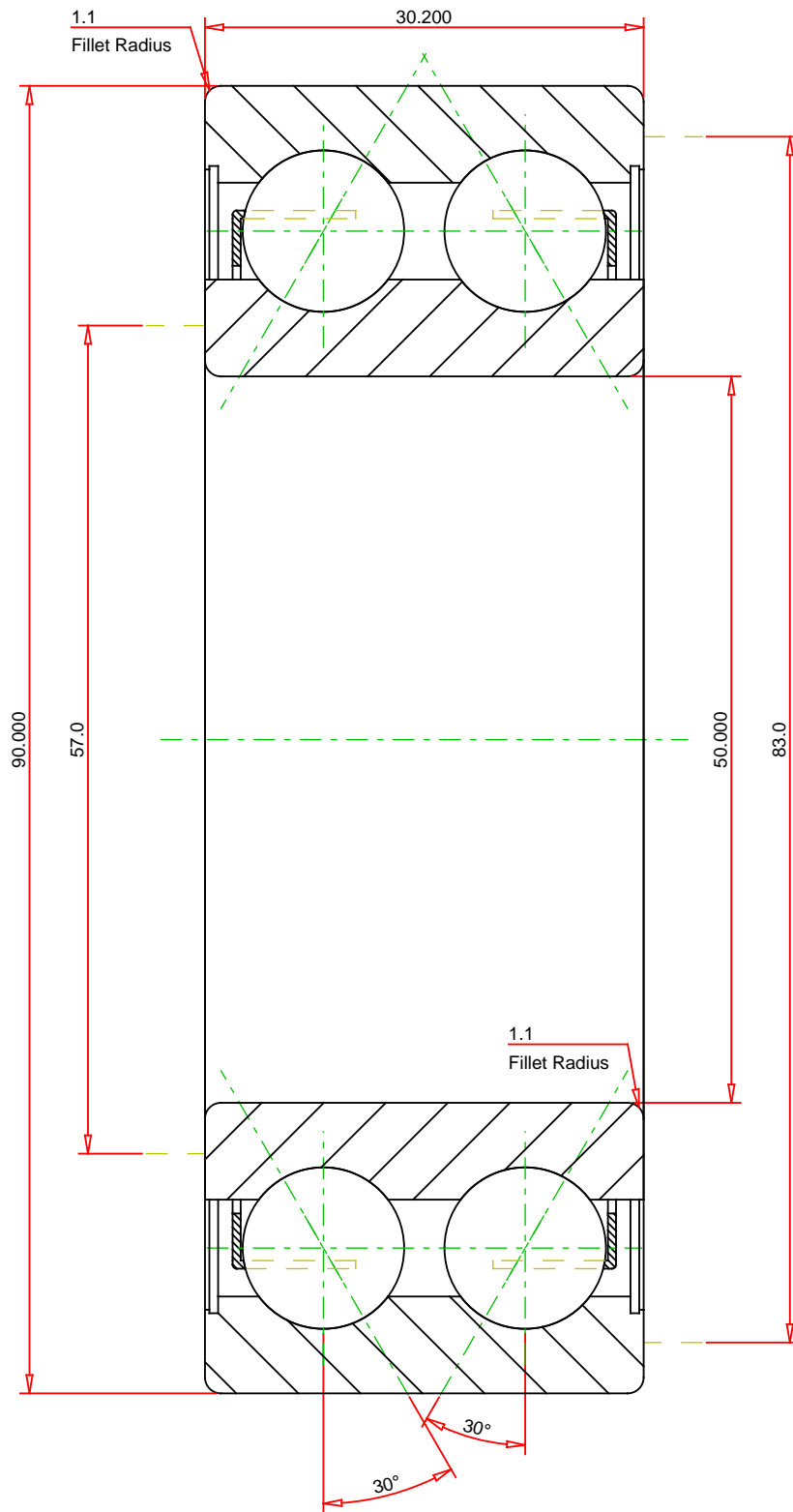
C0 - Static Radial Rating	39900 N 8968 lbf
C1 ISO - Dynamic Radial Rating	43900 N 9867 lbf

### Abutment and Fillet Dimensions

R - Inner Ring "To Clear" Radius <sup>1</sup>	1.10 mm 0.043 in
r - Outer Ring "To Clear" Radius <sup>2</sup>	1.10 mm 0.043 in
da - Inner Ring Backing Diameter	57.0 mm 2.244 in
Da - Outer Ring Backing Diameter	83.0 mm 3.268 in

<sup>1</sup> Maximum housing fillet radius that bearing corners will clear.

<sup>2</sup> Maximum shaft fillet radius that bearing corners will clear.



**METRIC UNITS**

Number of Balls Per Row 22  
 Bearing Weight 0.700 kg

**TIMKEN**®

**3210 AJ**  
 Timken® Double Row Angular Contact Ball Bearings  
 (3200, 3300)

**THE TIMKEN COMPANY**  
 NORTH CANTON, OHIO USA

Dynamic Load Rating 43900 N  
 Static Load Rating 39900 N

Every reasonable effort has been made to ensure the accuracy of the information contained in this writing, but no liability is accepted for errors, omissions or for any other reason.

**FOR DISCUSSION ONLY**